

Fig. 7.41. Schematic diagram, Automatic continuous Forward-Reverse-Forward-Reverse running with lamp indications for each direction of rotation using timers.

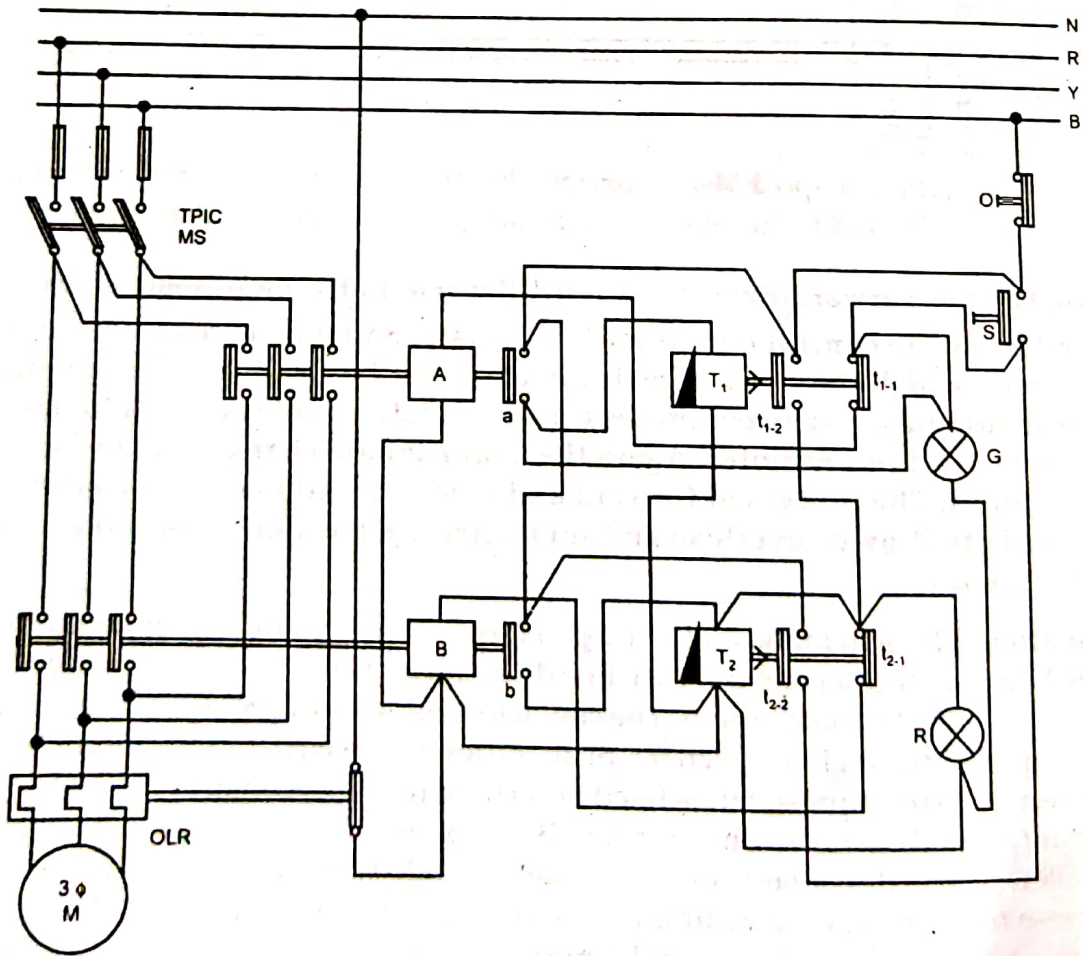


Fig. 7.42. Starting Forward-Reverse-Forward-Reverse Automatically

